



GIANT[®]
BY TOBROCO



COMPACT DESIGN
BIG IN PERFORMANCE

G2700



TECHNICAL DATA

TYPE	G2700 HD	G2700 HD X-TRA	G2700 HD+	G2700 HD+ X-TRA
Service weight ¹	2.550 kg	2.550 kg	2.600 kg	2.600 kg
Lifting capacity	1.875 kg	2.325 kg	1.900 kg	2.350 kg
Tipping load ²	2.375 kg	2.850 kg	2.400 kg	2.900 kg

DIMENSIONS AND SPEED

Lifting height ²	2.964 mm	2.498 mm	2.964 mm	2.498 mm
Length without bucket	3.387 mm	3.456 mm	3.387 mm	3.456 mm
Machine height ³	2.320 mm	2.320 mm	2.322 mm	2.322 mm
Width on standard tyres	1.100 mm		1.100 mm	
Standard tyres	11.5/80-15.3 AS		11.5/80-15.3 AS	
Travel speed	0-10 km/h 0-25 km/h (with automatic gear)		0-15 km/h 0-30 km/h (with automatic gear)	

ENGINE	Kubota D1803 CR DOC/DPF (STAGE V)	Kubota D1803 CR DOC/DPF (STAGE V)
Cylinders	3	3
Engine power	50 HP / 36 kW	50 HP / 36 kW
Type	Turbo Diesel	Turbo Diesel
Fuel tank capacity	68 L	68 L
Oil capacity	60 L	60 L

POWERTRAIN

Type	Hydrostatic 4 wheel drive	Hydrostatic 4 wheel drive
Transmission	Automotive control	Automotive besturing
Differential	Limited slip on both axles	100% electrical differential lock on both axles
Final drive	8 tons planetary axles (HD version)	12 tons planetary axles (HD version)
Pulling force	20.000 N	28.000 N
Driving hydraulics	75 l/min (420 bar)	121 l/min (400 bar)
Working hydraulics	51 l/min (230 bar)	51 l/min (230 bar)
Parking brake	Drum brakes	Drum brakes

STANDARD MACHINE FEATURES

TYPE	G2700 HD	G2700 HD X-TRA	G2700 HD+	G2700 HD+ X-TRA
Double acting valve at the front (mechanical)	Std	Std	Std	Std
Floating position on lifting cylinder(s)	Std	Std	Std	Std
ROPS / FOPS safetyroof incl. safety doors left and right	Std	Std	Std	Std
Hydraulic servicebrake on 4 wheels	Std	Std	Std	Std
Luxury air suspended seat with safety belt, armrest and extended backrest	Std	Std	Std	Std
Battery, 77 Ah	Std	Std	Std	Std
Main switch	Std	Std	Std	Std
Towing hook	Std	Std	Std	Std
Counterweight integrated into the bumper	Std	Std	Std	Std
Working light (halogen) at the front	Std	Std	Std	Std
Oil cooler	Std	Std	Std	Std

¹ Measured with standard version and earthbucket

² Measured with hinge point in straight position on standard tyres

³ Measured on standard tyres with safety roof

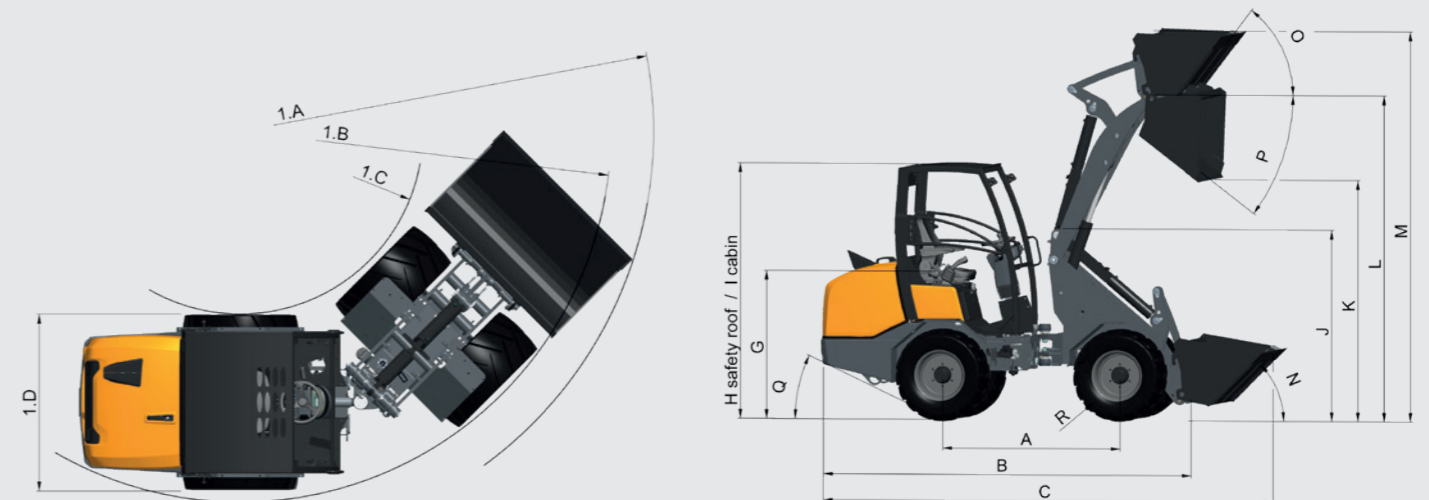
TIPPING LOADS

	G2700 HD	G2700 HD X-TRA	G2700 HD+	G2700 HD+ X-TRA
S	2.375 kg	2.850 kg	2.400 kg	2.900 kg
T	1.800 kg	2.100 kg	1.820 kg	2.200 kg
U	1.350 kg	1.570 kg	1.400 kg	1.600 kg
V	1.075 kg	1.200 kg	1.100 kg	1.225 kg
W	2.800 kg	2.950 kg	2.850 kg	3.000 kg
X	1.800 kg	1.950 kg	1.900 kg	2.000 kg
Y	1.400 kg	1.500 kg	1.450 kg	1.580 kg



MEASUREMENTS

	Unit	G2700 HD	G2700 HD X-TRA	G2700 HD+	G2700 HD+ X-TRA
A Wheelbase	mm	1.648	1.700	1.648	1.700
B Total length	mm	3.405	3.468	3.405	3.468
C Length with bucket	mm	4.177	4.239	4.177	4.239
G Seat height	mm	1.380	1.380	1.380	1.380
H Max. height with safety roof	mm	2.339	2.339	2.339	2.339
I Max. height with cabin	mm	2.339	2.339	2.339	2.339
J Height front frame	mm	1.698	1.513	1.698	1.513
K Max. dumping height	mm	2.209	1.753	2.209	1.753
L Lifting height	mm	2.984	2.517	2.984	2.517
M Height with bucket	mm	3.572	3.104	3.572	3.104
N Rollback angle on the ground	degrees	45	42	45	42
O Rollback angle at max. lift height	degrees	52,7	46,4	52,7	46,4
P Max. angle for bucket emptying	degrees	37,4	36,5	37,4	36,5
Q Drive-up angle	degrees	25,3	25,3	25,3	25,3
R Outer size of tires	ø mm	850	850	850	850
1D Width on standard tyres	mm	1.100	1.100	1.100	1.100
1A Turning radius with bucket	mm	2.972	3.045	2.972	3.045
1B Turning radius on outer edge	mm	2.560	2.623	2.560	2.623
1C Inner turning radius	mm	1.460	1.523	1.460	1.523





G2700 HD (X-TRA)
G2700 HD+ (X-TRA)

TOBROCO-GIANT has been manufacturing quality GIANT machines and attachments since 1996 when we opened our first factory in the Netherlands. Today, TOBROCO-GIANT offers one of the broadest product portfolios in the business with 30 different models in 50 countries.

TOBROCO-GIANT supplies machines from 750 kg until 5.300 kg with engines from 20 hp till 76 hp for the worldwide machine market. Which machine will you choose?



SK212G
SK202D
SK252D



D204SW
D254SW



D204SW TELE
D254SW TELE



G1500
G1500 X-TRA



G2200 (X-TRA)
G2200 HD (X-TRA)
G2200 HD+ (X-TRA)



G2200E
G2200E X-TRA



G2500 HD
G2500 X-TRA HD



G3500
G3500 X-TRA
G3500 TELE



G5000
G5000 X-TRA
G5000 TELE



GT5048



Stage V



Elektrisch



GIANT
BY TOBROCO

TOBROCO-GIANT

Industrielaan 2
5061 KC Oisterwijk (The Netherlands)
Tel +31 (0)13-5211212
Fax: +31 (0)13-5234045
Internet: www.tobroco-giant.com
E-Mail: info@tobroco-giant.com

All technical data in this brochure refer to under Central European operating conditions tested series models and describe the standard functions. Specifications and their modes of operation, as well as accessories, depend on the model and the options of the product, as well as country-specific regulations in the country of sale. Images may show non-listed or non-standard available products. The descriptions, illustrations, weights and technical data are not binding and are in accordance with the state of the art at the time of going to press. Changes in the design, equipment, optics and technology are due to the continuous development of its products without prior notice. Do you need special functions which are only available through the use of additional components and / or under special circumstances, please contact us! We will be happy to answer your questions and let you know whether and under what conditions regarding the product and the environmental conditions special functions are realizable. When doubts about the capacity or the performance of our products under special circumstances, we recommend to perform under controlled conditions. Testing activities despite the utmost care, we cannot rule out deviations from illustrations or dimensions, calculation errors, misprints or omissions in this brochure. We therefore accept no liability for the correctness and completeness of the information contained in this brochure. As part of our General Terms and Conditions, we guarantee the proper functioning of our products. Furthermore Linear guarantees we provide in principle. A further liability than outlined in our Terms and Conditions is excluded.

